

WAVE BRAKE™



Rubbermaid®
Commercial Products

SIDEWARD 26 QTS COMBO

RU7480-88 Mopping combo pack
RU6127-88 Sideward wringer 12-32 oz.
RU7470 Bucket (26 qts) with 3" wheels
Color : Yellow

WAVE BRAKE™



Rubbermaid®
Commercial Products

*special order

SIDEWARD 26-35 QTS COMBO

RU7580-88 Mopping combo pack
RU6127-88 Sideward wringer 12-32 oz.
RU7570-88 Bucket (26-35 qts) with 3" wheels
Colors : Bronze, Yellow, Blue, Green and Red

WAVE BRAKE™



Rubbermaid®
Commercial Products

RU7680

RU7780

*special order

SIDEWARD 26-35 QTS COMBO

RU7680 Mopping combo pack
RU7780 Deluxe Mopping combo pack
RU6127-88 Sideward wringer 12-32 oz.
RU7571-88 Bucket only (26-35 qts)
RU9C73* Quiet caster dolly
Color : Yellow



Rubbermaid®
Commercial Products

TANDEM COMBO

All-in-one compact design, easy to carry.
Accept up to 24 oz. mops.
RU7380 31 qts. One piece combo pack
Color : Yellow

WAVE BRAKE™



Rubbermaid®
Commercial Products

DOWNWARD 26-35 QTS COMBO

RU7577-88 Mopping combo pack
RU7575-88 Downward wringer 16-32 oz.
RU7570-88 Bucket (26-35 qts) with 3" wheels
Colors : Bronze, Yellow

WAVE BRAKE™



Rubbermaid®
Commercial Products

RU7677

RU7777

*special order

DOWNWARD 26-35 QTS COMBO

RU7677 Mopping combo pack
RU7777 Deluxe Mopping combo pack
RU7575-88 Downward wringer 16-32 oz.
RU7571-88 Bucket only (26-35 qts)
RU9C73* Quiet caster dolly, pack 2
Color : Yellow



Rubbermaid®
Commercial Products

DIRTY WATER BUCKET

Separates dirty water from clean water.
RU9C74 For 35 qt WaveBrake® bucket
Colors : Red, Yellow

NEW 2008 SPLASH GUARD™

CONTINENTAL



*special order

SIDEWARD 26 QTS COMBO

KA226-312 Mopping combo pack
Colors : Bronze, Yellow, Blue, Green
KASW12 Sideward wringer 12-32 oz.
KA226-3 Bucket (26 qts) with 3" wheels
Colors : Bronze, Yellow, Green, Blue

NEW 2008 SPLASH GUARD™

CONTINENTAL



*special order

SIDEWARD 35 QTS COMBO

KA335-312 Mopping combo pack
KASW12 Sideward wringer 12-32 oz.
KA335-3 Bucket (35 qts) with 3" wheels
Colors : Bronze, Yellow, Blue

NEW 2008 SPLASH GUARD™

CONTINENTAL



DOWNWARD 35 QTS COMBO

KA335-37 Mopping combo pack
KASW7 Downward wringer 16-32 oz.
KA335-3 Bucket (35 qts) with 3" wheels
Colors : Bronze, Yellow, Blue

NEW 2008 SPLASH GUARD™

CONTINENTAL



BACKSAVER COMBO

KA336-312 35 qts. Side-press combo pack
KA336-37 35 qts. Down-press combo pack
Colors : Yellow

NEW 2008

CONTINENTAL



DOWNWARD 44 QTS COMBO

KA404-37 Mopping combo pack
KASW7 Downward wringer 16-32 oz.
KA404-3 Bucket (44 qts) with 3" wheels
Colors : Yellow

NEW 2008



HUSKEE BUCKET

Features durable steel handle and built-in spout.

KA8110 10 qt bucket
 KA8114 14 qt bucket
 Color : Grey, Red, White

NEW 2008



HUSKEE DIVIDED PAIL

Rugged commercial bucket with insulated grip.

KA8216 16 qt pail
 Color : Grey



BUCKETS

RU2963 10 qt (9.5 L.) plastic bucket
 RU2614 14 qt (14 L.) plastic bucket
 Color : Grey or Red
 RU2617 17 qt (16.1 L.) double pail
 Color : Grey



BUCKET AND WHEELS

Plastic bucket with plastic handle.

PU5524-U Plastic bucket 18" wide
 PU5524-OC Pk/4 Wheels for PU5524-U
 Color : Blue

NEW 2008



PLASTIC CONE PAIL

Made with high quality plastic for extra strength.

AG1505 Pail with cone
 Color : Blue



COMBO SPONGE MOP

Steel painted handle with hanger handle grip.

KA6012 12" highly absorbant sponge mop
 KA6112 2 pack refill only for KA6012

NEW 2008



SUPERJAWS™

Extra durable nylon construction assures long life for this jaw style handle.

KA70612-BLE 60" Fiberglass handle
 KA70622-BLK 60" Vinyl coated steel handle

NEW 2008



LOAD 'N LOCK™

High-impact plastic head features a side release gate for fast and easy mop change.

KA71612-54 54" fiberglass handle
 KA71612-60 60" fiberglass handle

NEW 2008



QUICKWAY MOP HANDLE

Economical metal head with quick-release design. Designed primarily for narrow-band wet mops.

AG4754 54"x15/16" handle

NEW 2008



COTTON YACHT MOPS

54"x15/16" wooden handle with cotton head.

AG2208 225 g. (8 oz.) AG2216 450 g. (16 oz.)
 AG2210 275 g. (10 oz.) AG2220 550 g. (20 oz.)
 AG2212 350 g. (12 oz.)

NEW 2008



SYNTHETIC YACHT MOPS

54"x15/16" wooden handle with synthetic head.

AG2308 225 g. (8 oz.) AG2316 450 g. (16 oz.)
 AG2310 275 g. (10 oz.) AG2320 550 g. (20 oz.)
 AG2312 350 g. (12 oz.)

NEW 2008



DYNEL APPLICATORS

AG34811 10" applicator / wood block
 AG34800 10" refill only
 AG34916 16" applicator / wood block
 AG34900 16" refill only

NEW 2008



atlas graham

COTTON MOPS

Economical, excellent water absorption.

- AG1616 450 gr. (16 oz) mop
- AG1620 550 gr. (20 oz) mop
- AG1624 650 gr. (24 oz) mop
- AG1632 850 gr. (32 oz) mop

NEW 2008



atlas graham

SYNTHETIC MOPS

4 row stiched, synthetic blend, bagged mops.

- AG4016 450 gr. (16 oz) mop
- AG4020 550 gr. (20 oz) mop
- AG4024 650 gr. (24 oz) mop
- AG4032 850 gr. (32 oz) mop

NEW 2008



atlas graham

SYNTHETIC FAN TIP MOPS

Greater floor coverage, eliminates tangling.

- AG4116 450 gr. (16 oz) mop
- AG4120 550 gr. (20 oz) mop
- AG4124 650 gr. (24 oz) mop

NEW 2008



atlas graham

JANILOOP NARROW BAND COLORED MOPS

Lint-free, synthetic blend, colored loop mops.

- | | Blue | Green | Orange |
|--------------------------|--------|--------|--------|
| Small mop (16 oz.) | AG1881 | AG2611 | AG2711 |
| Medium mop (20 oz.) | AG1882 | AG2612 | AG2712 |
| Large mop (24 oz.) | AG1883 | AG2613 | AG2713 |
| Extra large mop (32 oz.) | AG1884 | AG2614 | AG2714 |

JANILOOP WIDE BAND COLORED MOPS

Lint-free, synthetic blend, colored loop mops.

- | | Blue | Green | Orange |
|--------------------------|--------|--------|--------|
| Small mop (16 oz.) | AG1891 | AG2601 | AG2701 |
| Medium mop (20 oz.) | AG1892 | AG2602 | AG2702 |
| Large mop (24 oz.) | AG1893 | AG2603 | AG2703 |
| Extra large mop (32 oz.) | AG1894 | AG2604 | AG2704 |

NEW 2008



WILEN

STINGER COTTON CUT-END MOPS

Cotton mops feature high quality materials and superior construction.

- KA401116 450 gr. (16 oz) mop
- KA401120 550 gr. (20 oz) mop
- KA401124 650 gr. (24 oz) mop

NEW 2008



WILEN

ATOMIC LOOP NARROW BAND COLORED MOPS

Lint-free, synthetic blend, colored loop mops.

- | | Blue | Green | Orange |
|--------------------------|---------|---------|---------|
| Small mop (16 oz.) | KA02611 | KA02811 | KA02711 |
| Medium mop (20 oz.) | KA02812 | KA02812 | KA02712 |
| Large mop (24 oz.) | KA02613 | KA02813 | KA02713 |
| Extra large mop (32 oz.) | KA02614 | KA02814 | KA02714 |

ATOMIC LOOP WIDE BAND COLORED MOPS

Lint-free, synthetic blend, colored loop mops.

- | | Blue | Green | Orange |
|--------------------------|---------|---------|---------|
| Small mop (16 oz.) | KA02601 | KA02801 | KA02701 |
| Medium mop (20 oz.) | KA02802 | KA02802 | KA02702 |
| Large mop (24 oz.) | KA02603 | KA02803 | KA02703 |
| Extra large mop (32 oz.) | KA02604 | KA02804 | KA02704 |

NEW 2008



WILEN

TEXRAY SYNTHETIC CUT-END MOPS

Synthetic mops, 4 ply rayon and 5" mesh band.

- KA414016 450 gr. (16 oz) mop
- KA414020 550 gr. (20 oz) mop
- KA414024 650 gr. (24 oz) mop
- KA414032 850 gr. (32 oz) mop

NEW 2008



atlas graham

ECONOMICAL FINISH MOPS

4 row stiched, string type, bagged mops.

- AG3816 450 gr. (16 oz) mop
- AG3820 550 gr. (20 oz) mop
- AG3824 650 gr. (24 oz) mop

NEW 2008



atlas graham

STRIPED FINISH MOPS

Superior quality striped finish mop with looped ends.

- AG1761 450 gr. (16 oz) mop
- AG1762 550 gr. (20 oz) mop
- AG1763 650 gr. (24 oz) mop

NEW 2008



atlas graham

NYLON FINISH MOPS

The ultimate, longer life finish mop. Covers a larger floor area and leaves more finish on the floor.

- AG1752 550 gr. (20 oz) mop
- AG1753 650 gr. (24 oz) mop
- AG1756 850 gr. (32 oz) mop

NEW 2008



Rubbermaid Commercial Products

DISINFECTING BUCKET

Hold up to 20 microfiber wet pads. Smooth, non-porous surface helps prevent bacterial growth and cleans up easily.

RUQ950 25.1"x8.8"x12.2" bucket



Rubbermaid Commercial Products

PRESS WRING BUCKET

Washboard surface, effectively removes dirt and debris from mop pads before wringing. Twist-valve empties contents without lifting.

RUQ900 26.2"x14.5"x16.1" bucket
Fits onto RU6173 and RU9T73



Rubbermaid Commercial Products

FINISH BUCKET WITH LID

Washboard surface, effectively removes excess finish from mop pads before application. Plastic air-tight lid to keep remaining floor finish fresh.

RUQ930 26.2"x14.7"x16.2" bucket



Rubbermaid Commercial Products

PEDAL WRING BUCKET

Two-part bucket and wringer designed especially for microfiber flat mops. Ergonomic, no pulling or bending to wring, just depress the foot pedal and the pressure plate does the rest.

RUQ920 26.2"x20"x22.6" bucket



Rubbermaid Commercial Products

PEDAL WRING MINI-CART

Pedal wring bucket with large caddy for cleaning supplies. The back-side of the mini-cart is devoted to microfiber pad storage.

RUQ925 26.2"x20"x37.8" bucket

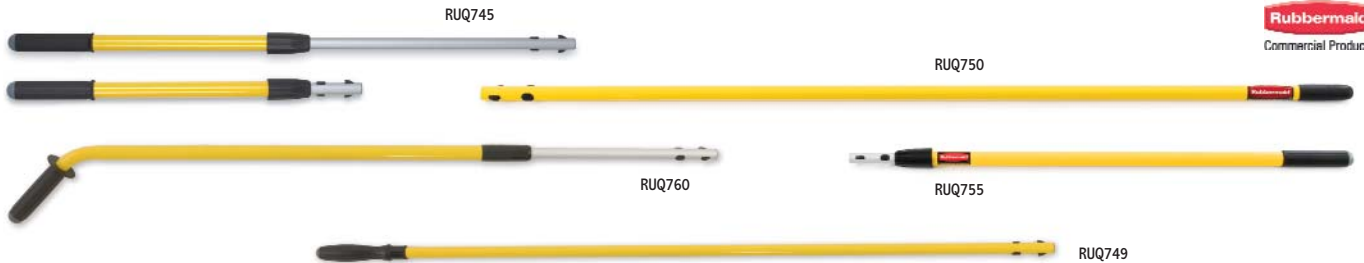


Rubbermaid Commercial Products

MICROFIBER STARTER KIT

Best-in-Class microfiber delivers superior cleaning performance and durability.

RUQ999 Microfiber starter kit



Rubbermaid Commercial Products

QUICK CONNECT ALUMINIUM HANDLES

Quick connect system to save time and energy. Durable aluminium construction.

RUQ745 Quick connect short extension handle 24"-40"
RUQ750 58" quick connect handle
RUQ760 Quick connect ergo adjustable handle 48"-72"

RUQ749 Economy 52" quick connect steel handle
RUQ755 Quick connect straight extension handle 48"-72"



Rubbermaid Commercial Products

QUICK CONNECT FRAMES

Flat frame profile slides under furniture and equipment. Replaceable hook-and-loop strips make pad attachment easy and extend product life.

RUQ550 11" quick connect wall/stair frame
RUQ559* 18" quick connect wet/dry plastic frame
RUQ560 18" quick connect wet/dry frame
RUQ570 24" quick connect squeegee frame

RUQ580 36" quick connect hall dusting frame
RUQ590 48" quick connect hall dusting frame
RUQ595 60" quick connect hall dusting frame

* Can only be used with RUQ950 charging bucket, RUQ408 dust pad with fringed and RUQ409 wet pad.

Rubbermaid
Commercial Products

RUQ410-BLE



RUQ416-BLE



RUQ415-BLE

WET MICROFIBRE PADS

- RUQ820-BLE 11" wet pad
- RUQ410-BLE 18" wet pad
- RUQ411-BLE 24" wet pad
- RUQ415-BLE 18" wet pad / scrubber
- RUQ416-BLE 18" wet pad / fringe

Rubbermaid
Commercial Products



DRY MICROFIBER DUST PADS

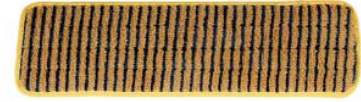
- RUQ412-GRN 18" dust pad
- RUQ418-GRN 18" dust pad / fringe
- RUQ426-GRN 24" dust pad / fringe
- RUQ436-GRN 36" hall dust pad

Rubbermaid
Commercial Products

RUQ800



RUQ810



SPECIALTY PADS

Best-in-class microfiber delivers superior cleaning performance and durability.

- RUQ800 18" finish pad
- RUQ810 18" scrubber pad

NEW
2008



DURA PLUS

MICROFIBRE FRAMES AND HANDLE

- DP2250 9" threaded swivel pad holder
- DP490-18 18" swivel mop frame
- DP490-24 24" swivel mop frame
- DPAMH-70 Aluminium handle ext. to 70"

NEW
2008



DURA PLUS

WET MICROFIBRE PADS

- DP471-10 10" wet pad
- DP471-20 20" wet pad
- DP471-26 26" wet pad
- Color : Blue

NEW
2008



DURA PLUS

DRY MICROFIBRE PADS

- DP801-20 20" dry pad with fringe
- DP801-26 26" dry pad with fringe
- Color : Green

FLOOR MAINTENANCE

DUST MOPS

NEW
2008



atlas graham

WHITE COTTON REFILLS

- Economical cotton dust mop.
- AG16618 5"x18" cotton refill
 - AG16624 5"x24" cotton refill
 - AG16636 5"x36" cotton refill
 - AG16648 5"x48" cotton refill

NEW
2008



atlas graham

ASTROLENE

- Astrolene mop yarn is a special blend of four different synthetic yarns.
- AG22818 18" blue refill
 - AG22824 24" blue refill
 - AG22836 36" blue refill
 - AG22848 48" blue refill

NEW
2008



atlas graham

ELECTROSTATIC DUST MOP

- Captures dust without treatment.
- AG25018 5"x18" blue refill
 - AG25024 5"x24" blue refill
 - AG25036 5"x36" blue refill
 - AG25048 5"x48" blue refill

NEW
2008



atlas graham

CLIP ON HANDLES AND FRAMES

- AG41718 5"x18" clip on frame
- AG41724 5"x24" clip on frame
- AG41736 5"x36" clip on frame
- AG41748 5"x48" clip on frame
- AG14600 60" vinyl coated handle with clip



Procter & Gamble
PROFESSIONAL LINE



SWIFFER® DRY

- Sweeper system and disposable cloths with electrostatic action to capture dirt, dust and hair.
- PG30942 Pk 9 SWIFFER® starter kit
 - PG31822 Dry refill 6x32 cloths
 - PG31821 Dry refill 12x16 cloths
 - PG33407 Dry refill 6x32 cloths



Procter & Gamble
PROFESSIONAL LINE



SWIFFER® WET

- Sweeper system and disposable wet cloths to capture dirt, dust and hair. Lightweight and easy to use.
- PG30942 Pk 9 SWIFFER® starter kit
 - PG35155 Wet refill 6x24 cloths
 - PG35154 Wet refill 12x12 cloths



INDUSTRIAL FLOOR SQUEEGEE

One piece aluminum frame with rubber blade. Available in 18", 24", 30" and 36".

AG360 Blade and frame



METAL FRAME WITH BLACK MOSS BLADE

Reinforced frame, ideal for irregular surfaces.

PU2545 18" heavy-duty blade and frame
 PU2555 22" heavy-duty blade and frame
 PU2575 30" heavy-duty blade and frame



PLASTIC FRAME / MOSS BLADE

Ideal for irregular surfaces.

PU20045 Black blade and 18" frame
 PU20055 Black blade and 22" frame
 PU21545 Red neoprene blade and 18" frame
 PU21555 Red neoprene blade and 22" frame



TRAXOFF MARK REMOVER

Aggressive enough to remove black heel marks, yet won't scuff floor finishes.

AG470 TraxOff tool with 5 pads
 AG471 20x replacement pads



SUPER SCRAPER®

4" metal floor scraper with ABS plastic handle.

PUSUP4S 4" scraper
 PUSUP4S-25 4"x12" scraper
 PUSUP4S-120 4"x48" scraper
 PUSUP4B Pk. 10 blades



FLOOR SCRAPER

Heat treated carbon steel blade for maximum strength.

RU9H15 3" scraper
 RU9H16 1 1/2" scraper



WOODEN VARNISHED HANDLES

AG52504 Threaded wood handle 54" x 15/16"
 AG52509 Threaded wood handle 60" x 15/16"
 AG52506 Tapered wood handle 54" x 1 1/8"
 AG52513 Tapered wood handle 60" x 1 1/8"
 AG52510 60" threaded metal tip wood handle



HANDLES

ALUMINIUM
 AG2408 48" handle with threaded nylon tip
 AG2409 60" handle with threaded nylon tip
FIBERGLASS
 AG24511 54" handle with threaded nylon tip
 AG24510 60" handle with threaded nylon tip



ACCESSORY HOLDERS

Sliding accessory holder with 3 types of hooks. To hold electric cords, handles, tools...

RU1992 18" 3 hooks
 RU1993 34" 6 hooks
 RU1994 Hooks kit (2x "S" shape, 1x double)



HUSKEE SWEEPERS

Durable plastic body resists scratches and dents and is easy on walls, doors and furniture.

KA5323 9 1/2" Commercial sweeper
 KA5325 9 1/2" PowerRotor sweeper
 KA5327 12" PowerRotor sweeper



CARPET SWEEPERS

Perfect for hard floors, low pile carpets and tile.

RU4212 Economical model 9 1/4"
 RU4213 Double brush model 9 1/2"
 RU4215 Non-marking polymer blades 9 1/2" sweeper.

NEW 2008

THREADED HANDLE WOOD BLOCK atlas graham



581 SERIES - FINE SWEEP

Solvent and oil resistant synthetic material with flagged tips for fine dust.

- AG58118 18" broom head
- AG58124 24" broom head
- AG58136 36" broom head

NEW 2008

THREADED HANDLE WOOD BLOCK atlas graham



63 SERIES - MEDIUM SWEEP

Synthetic tampico fibre push broom for general sweeping applications.

- AG6318 18" broom head
- AG6324 24" broom head
- AG6336 36" broom head

NEW 2008

THREADED HANDLE WOOD BLOCK atlas graham



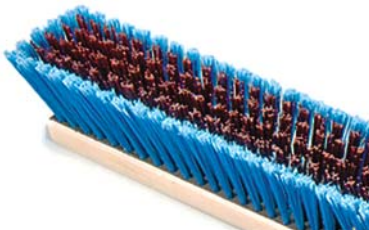
83 SERIES - STIFF SWEEP

Stiff synthetic push broom. Use indoors or outdoors on rough surfaces.

- AG8318 18" broom head
- AG8324 24" broom head
- AG8336 36" broom head

NEW 2008

THREADED HANDLE WOOD BLOCK atlas graham



67 SERIES - SWEEP MATE COMBO

This synthetic broom is ideal for most sweeping conditions.

- AG6718 18" broom head
- AG6724 24" broom head
- AG6736 36" broom head

NEW 2008

THREADED HANDLE FOAM BLOCK atlas graham



572 SERIES - FOOD SERVICE

Durable foam block staple-set with medium/stiff synthetic fibre for food service.

- AG57218 18" broom head
- AG57224 24" broom head

NEW 2008

TAPERED HANDLE WOOD BLOCK atlas graham



74 SERIES - STREET / STABLE

Use for extremely heavy debris or where the surface is very rough. Stiff synthetic bristles. Oil, solvent and moisture resistant.

- AG7414 14" broom head
- AG7416 16" broom head

NEW 2008

atlas graham



PRO SERIES - SOFT SWEEPING

Complete broom, includes handle, brace and broom block. Individually boxed.

- AG99942 24" Complete broom

NEW 2008

atlas graham



PRO SERIES - MEDIUM SWEEPING

Complete broom, includes handle, brace and broom block. Individually boxed.

- AG99946 18" Complete broom
- AG99947 24" Complete broom

NEW 2008

atlas graham



PRO SERIES - COARSE SWEEPING

Complete broom, includes handle, brace and broom block. Individually boxed.

- AG99951 18" Complete broom
- AG99952 24" Complete broom

NEW 2008

atlas graham



CORNBROOM #760 BUTLER

All-corn construction. Three rows of stitching. 13/16"x30".

- AG760 Lobby/Toy corn broom

NEW 2008

atlas graham



CORNBROOM #765 HOUSEKEEPER

Five string mixed corn construction. 7/8"x48" laquered handle.

- AG765 Economy corn broom

NEW 2008

atlas graham



CORNBROOM #761 & #762

One wire band plus three rows of stitching. Tough 1 1/8"x48" laquered handle.

- AG761 Cane center corn broom
- AG762 Heavy-duty corn broom

NEW 2008

atlas graham



BROOM BRACE

Provides user with better control and extra support, lengthens the life of the handle.

- AG2533 Brace only

NEW 2008



atlas graham

MAGNETIC ECONOMY BROOM

Economy upright broom filled with soft synthetic bristles for fine sweeping.

AG795 Magnetic broom 9.75"x3.75"
48" vinyl coated metal handle

NEW 2008



atlas graham

SWEEP-EZY BROOM

Sturdy plastic block densely filled with soft synthetic bristles. 48" powder painted metal handle.

AG781 Small complete 16"x4"
AG796 Large complete 11.25"x5"

NEW 2008



atlas graham

RITE-ANGLE BROOM

Synthetic flagged angle brooms with powder painted metal handles.

AG790 7.5" Lobby broom / 30" handle
AG792 10" Small broom / 48" handle
AG797 12" Large broom / 48" handle



Rubbermaid Commercial Products

LIGHT-DUTY ANGLE BROOM

9.5" smooth sweep angle broom with 54" metal handle and foam comfort grip.

RU6389 9.5" Angle broom / 54" handle



Rubbermaid Commercial Products

ANGLE BROOM

RU6385 10.5" magnetic angle broom with 1"x48" aluminium handle.

NEW 2008



atlas graham

ANGLE BROOM HEADS

Fused fibers into plastic block making them less likely to fall out.

AG771 Warehouse broom head / Stiff bristles
AG772 Trailblazer broom head / Flagged bristles
* Handle sold separately



CONTINENTAL

PLASTIC DUST PAN

Constructed of tough, yet flexible black plastic with thin front edge for maximum dirt pick up.

KA712 12" plastic dust pan



Rubbermaid Commercial Products

SOLID DUST PAN

Made of resilient black plastic.

RU2005 12" plastic dust pan

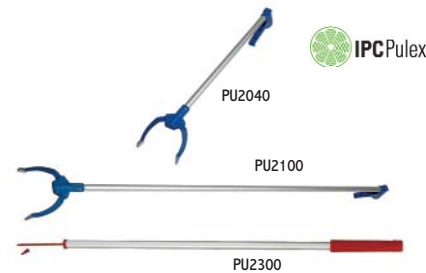


CONTINENTAL

METAL DUST PAN

Heavy duty black metal dust pan.

KA715 12" metal dust pan
KA716 16" metal dust pan



IPC Pulex

PAPER AND TRASH CLAMPS AND SPEAR

Ergonomic paper clamps and spear with aluminium handle. Eases the task of picking up paper and trash.

PU2040 16" clamp PU2100 40" clamp
PU2300 43" spear

NEW 2008



CONTINENTAL

DUST PAN

Upright dustpan that eases the task of picking up paper and trash.

KA912 12"x10^{3/4}"x36^{1/4}" plastic dust pan
KA808 12"x9^{7/8}"x31^{3/8}" metal dust pan



Rubbermaid Commercial Products

UPRIGHT DUST PANS WITH WHEELS

Stylish pan design. Durable rear wheels.

RU2531 Lobby Pro^{MC} upright dust pan
12^{3/4}" x 11^{1/4}" x 5"
RU2532 Lobby Pro^{MC} upright dust pan / lid
12^{3/4}" x 11^{1/4}" x 5"

NEW 2008



OLEFIN+

Quality olefin fiber that completely wipes the soles of shoes while keeping your floors dry and safe. Resistant to stains and mildew.

Sizes available : 3'x5', 4'x6', 3'x10', 4'x10', 3'x60', 4'x60', custom.
Code : MTO + Size + Color
Colors : Charcoal, Brown

NEW 2008



DOUBLE-RIB

Embossed surface that offers gentle wiping and scraping action. Uni-directional.

Sizes available : 3'x5', 4'x6', 3'x10', 4'x10', 3'x60', 4'x60', custom.
Code : MTDR + Size + Color
Colors : Charcoal, Brown

NEW 2008



V-TRACK

Polypropylene fiber with V-shaped patterns that offers multi-directional action. Scrapes debris while absorbing major moisture.

Sizes available : 3'x5', 4'x6', 3'x10', 4'x10', 3'x60', 4'x60', custom.
Code : MTVT + Size + Color
Colors : Charcoal, Brown

NEW 2008



MULTI-PIN

Needle punch polypropylene surface that offers great multi-directional scraping action. Absorbs moisture and dirt in the crevices.

Sizes available : 3'x5', 4'x6', 3'x10', 4'x10', 3'x60', 4'x60', custom.
Code : MTMP + Size + Color
Colors : Charcoal, Brown

FLOOR MAINTENANCE

OPTIMUM PERFORMANCE MATS

NEW 2008



DIRT-KEEPER+

Raised daisy structure that powerfully scrapes heavy dirt and debris while hiding it in its base. Highly resistant to mildew and low temperatures.

MTDK35GR 3'x5'
MTDK38GR 3'x8'

Colors : Charcoal

NEW 2008



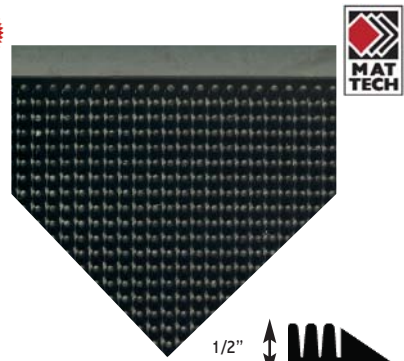
WATER-SOAKER+

High performance crush resistant waffle pattern that offers exceptional wiping and scraping effects. Very esthetic, mat includes raised borders to prevent water run-off.

MTWS35 + Color 3'x5'
MTWS46 + Color 4'x6'
MTWS410 + Color 4'x10'

Colors : Charcoal, Brown

NEW 2008

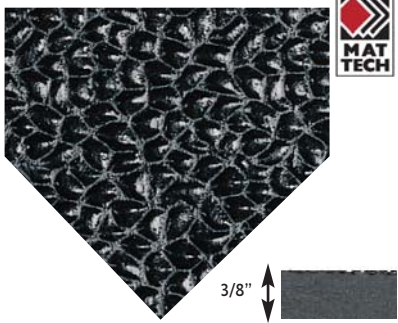


RUBBER-SCRAPPER

Molded rubber fingers that scrape heavy debris and retain it in the base of the carpet. Resists tough winter conditions.

MTRS2432 24x32
MTRS3239 32x39
MTRS3672 36x72

NEW 2008



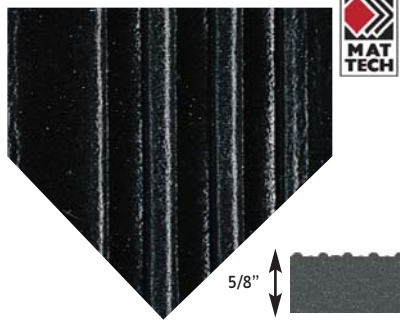
ERGO-SPUN

PVC sponge mat that offers moderate muscular relief by stimulating blood flow. Insulation against the cold.

- MTES23 2'x3' MTES260 2'x60'
- MTES310 3'x10' MTES360 3'x60'

Color: Charcoal

NEW 2008



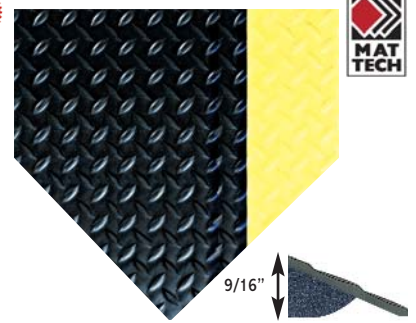
ERGO-SPUN+

PVC sponge mat that offers muscular relief by stimulating blood flow. Its thickness offers a superior comfort.

- MTES+34 3'x4'
- MTES+36 3'x6'
- MTES+46 4'x6'

Color: Charcoal

NEW 2008



HEAVY-DUTY ERGO-SPUN+

PVC sponge bonded to a resistant vinyl top that offers exceptional traction and durability. The glueless fusion process prevents delamination risks and tripping hazards. Yellow borders included.

- MTHDES23 2'x3' MTHDES312 3'x12'
- MTHDES35 3'x5'

Color: Black with yellow trim

ANTI-FATIGUE / WET AREAS

FLOOR MAINTENANCE

NEW 2008



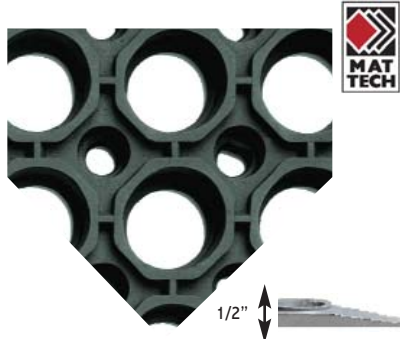
WATER-GRIP+

100% vinyl duckboard that offers excellent water drainage and a safe serrated surface to prevent tripping hazards. Resists oils, grease, fats and acids. Moderate anti-fatigue effect.

- MTWG310GR 3'x10'
- MTWG340GR 3'x40'

Color: Grey

NEW 2008



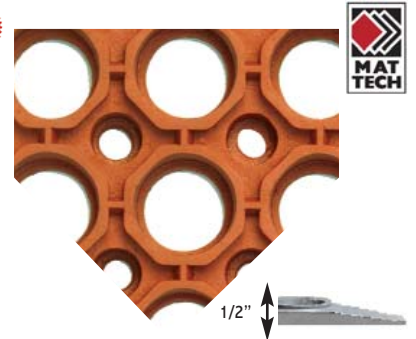
WET-TRACTION

General purpose rubber mat that offers traction in wet areas and a moderate anti-fatigue effect.

- MTWT35 3'x5'

Color: Black

NEW 2008



KITCHEN-SAFE+

Durable grease proof nitrile/rubber mat that offers excellent traction while giving moderate muscular relief.

- MTKS35 3'x5'

Color: Terra-cotta

CARPET SPOTTERS

FLOOR MAINTENANCE



CARPET SCIENCE®

Spotter for water & oil base stains and is a cleaner for high traffic carpet lanes. Simply spray on, scrub when needed and vacuum.

- DR94350 6x946 ml.



PROSOLVE®

General purpose cleaner and spotter. Can be used on specific tough stains or on high traffic carpet areas.

- RC41015 12x623 gr.



3M® STAIN REMOVER

Eliminates tough water & oil base stains from all carpet surfaces without leaving a sticky residue.

- 3M50003 4x19 oz.